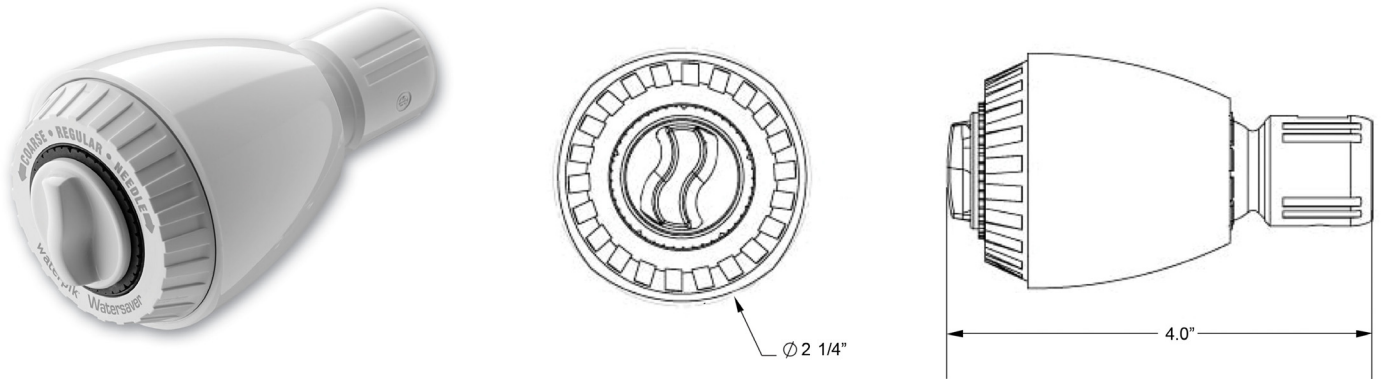


Specifications for Model: ICA-111HE



Unit Specifications

- Wall-mount model
- Waterpik® brand Watersaver™ – Conserves water
- White Finish
- Maximum flow rate 1.6 GPM at 80 PSI to meet ANSI A112.18.1M standard
- Standard 1/2" NPT inlet connection
- Adjustable Spray
- Self Cleaning head

Water Pik, Inc.
1730 East Prospect Rd.
Fort Collins, CO 80553
Customer Service: 1-800-766-7338
Fax: 1-970-221-7049
www.waterpik.com

Waterpik 3 year warranty. Water Pik, Inc. warrants to the original owner of this product that it is free from defects in material and workmanship for three years from the date of purchase. We will repair or replace any part of the product, which in our opinion is defective, provided the product has not been abused, misused, altered, or damaged after purchase. (This includes damage due to use of tools or harsh chemicals). This warranty gives you specific legal rights. You may also have other rights that vary where you reside. © 2005 Water Pik, Inc. Waterpik® and Waterpik® stylized are registered trademarks of Water Pik, Inc.