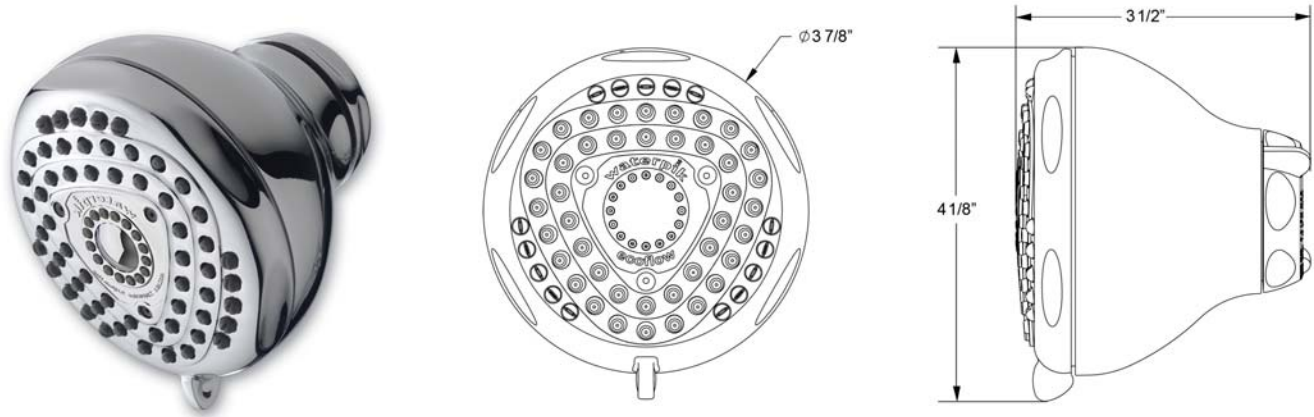


## Specifications for Model: ECO-533H



### Unit Specifications

- EcoFlow – Conserves water
- Wall-mount model
- Finish: Chrome with chrome face and grey easy-clean nozzles
- Maximum flow rate 1.5 GPM at 80 PSI to meet ANSI A112.18.1M standard
- Theft-resistant pivot ball
- Standard 1/2" NPT inlet connection
- 5 spray settings: Concentrated spray
  - Full Body spray
  - Circular Massage
  - Mist
  - Pause

**Water Pik, Inc.**  
1730 East Prospect Rd.  
Fort Collins, CO 80553  
Customer Service: 1-800-766-7338  
Fax: 1-970-221-7049  
[www.waterpik.com](http://www.waterpik.com)